

The Cooldek Light Box may be installed in Cooldek Classic or Cooldek CGI roofing, with maximum two Light Boxes on up to every second roofing panel with the following rule: One Light Box per sheet allowed for spans up to 4500mm and two Light Boxes per sheet allowed for spans greater than 4500mm and to be spaced at third points.

Note: All end panels to have no Light Boxes

COOLDEK PREPARATION

Any Cooldek sheets requiring Light Boxes must be prepared according to the following instructions.

Place the Cooldek sheet with the ceiling facing up. A 400mm wide x 800mm long rectangle must be marked centrally on the ceiling sheet (Figure 1.0). The rectangle is to be marked at the preferred distance along from the back of sheet.

Note: Light Boxes are always positioned centrally across the Cooldek sheet width.

Cut the rectangle from the Cooldek sheet through the ceiling, foam core & roof sheet using a swarfless saw or tin-snips along with a knife.

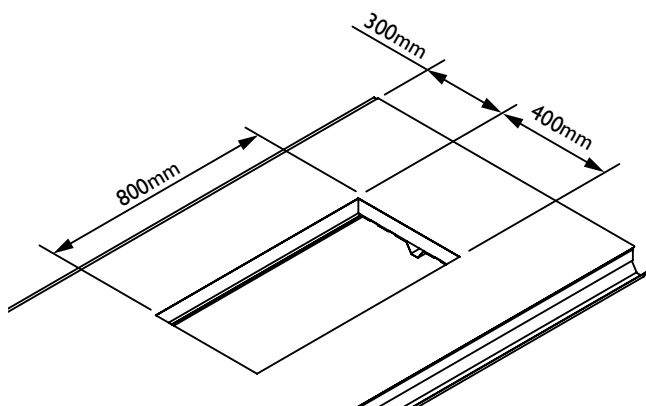


Figure 1.0

If the Light Box includes an LED light strip to be installed a channel must be bored through the foam-core. The channel must run from the rebate running along the Cooldek sheet through to the Light Box cut-out (Figure 1.1).

LIGHT BOX INSTALLATION

Note: The Light box frame can be installed either before or after the Cooldek sheet has been installed.

Cooldek Light Boxes are suspended within the Cooldek using four (4) spring-clips. The spring-clips must be inserted into the round external channel of the Light Box frame on the short sides (400mm) (Figure 2.0).

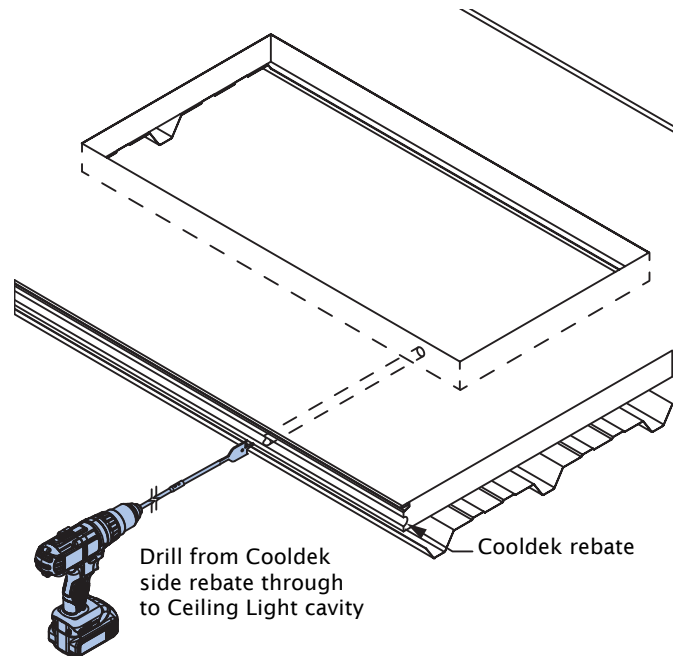


Figure 1.1

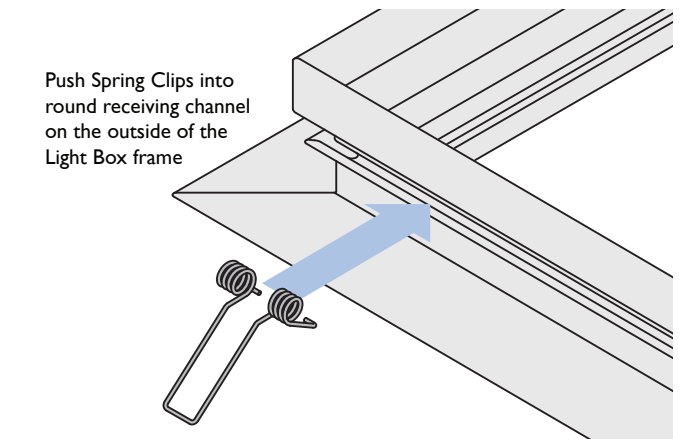


Figure 2.0

Spring-clip cavities approximately 50mm deep and 40mm high must be created within the foam at the ends of the Light Box opening (Figure 2.1). A knife can be used to dig out foam.

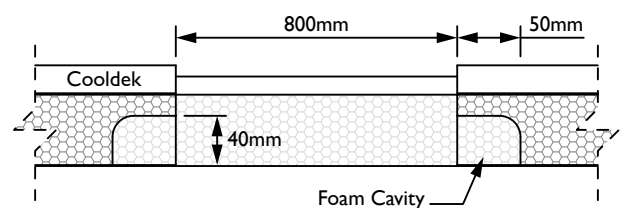


Figure 2.1

Figure 2.2 illustrates the Light Box installation sequence. Slide the spring-clips at one end of the Light Box into the cavities of the opening. When one end is inserted, lift the opposing spring-clips and raise the Light Box up to the opening. The remaining spring-clips will then lift into the opening and snap down within the foam cavities. The Light Box should be pulled up tight to the Cooldek ceiling.

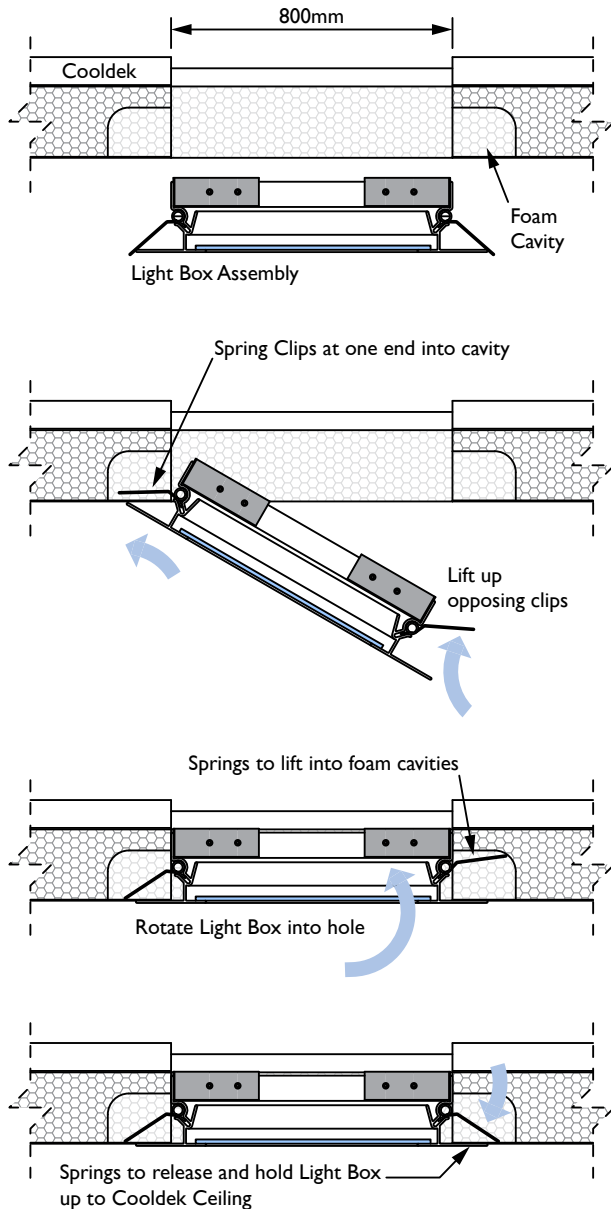


Figure 2.2

LED LIGHTING INSTALLATION

Use the following instructions if LED strip lighting has been provided.

The LED strip lighting (2.4m) has an adhesive backing tape that allows the strip to adhere to the Light Box frame. Remove the protective backing from the adhesive tape and tape the light-strip on to the flat angled face on the inside of the Light Box (Figure 3.0 & 3.1).

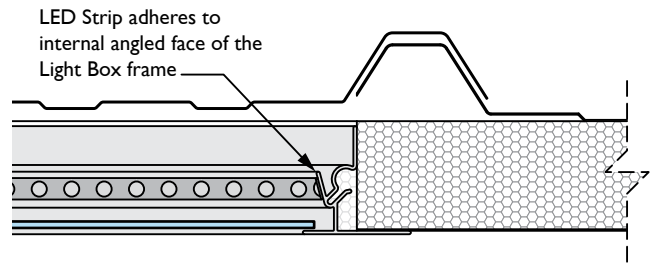


Figure 3.0

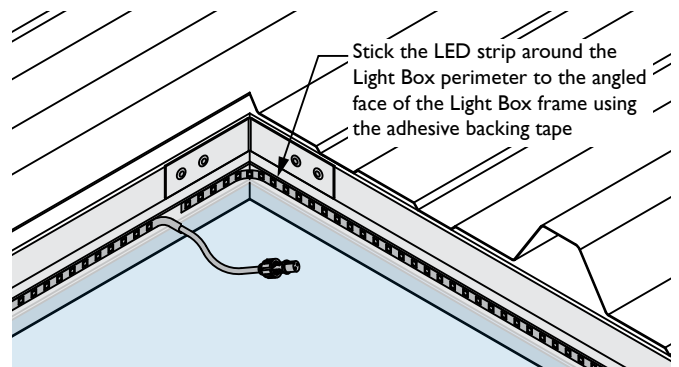


Figure 3.1

Extension leads must feed through the channel between the Light Box cavity and the Cooldek rebate through to the transformer (Figure 3.2).

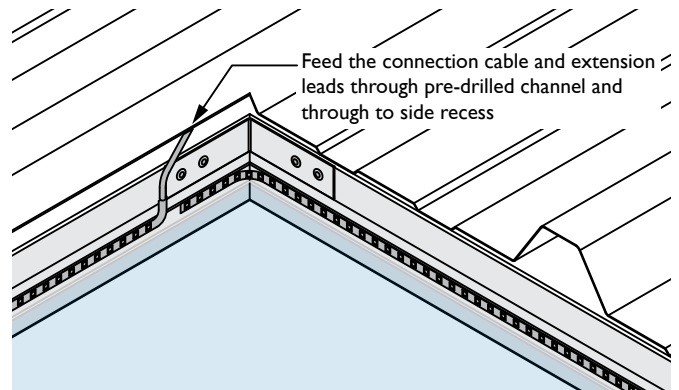


Figure 3.2

All cables must be connected with the arrows on each plug facing each other (Figure 3.3).

Note: It is important to check that all lights are working before continuing with the Cooldek installation.

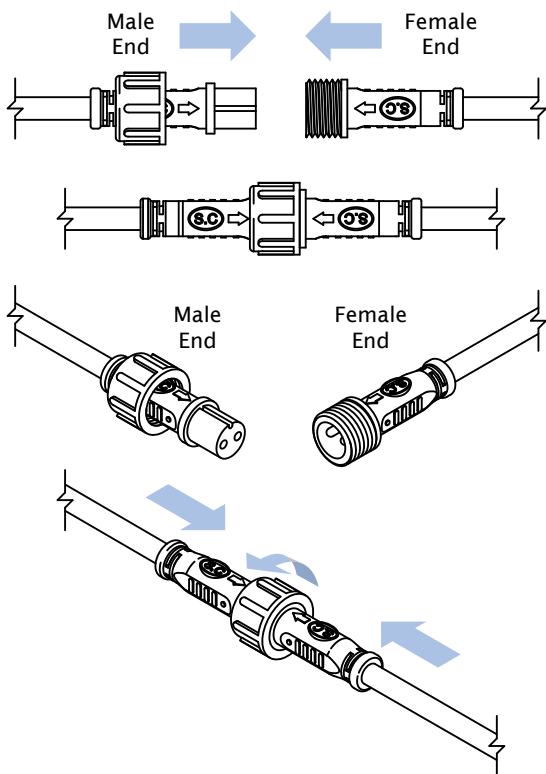


Figure 3.3

TOP-SHEET FIXING

Before installing the clear Cooldek top-sheet it is important to clean any debris from the inside of the Light Box.

For Cooldek Classic the top-sheet must be placed over the three central crests of the Cooldek sheet, completely covering and sealing the Light Box (Figure 4.0).

For Cooldek CGI the clear corrugated top-sheet must be cut-back to only eight crests (Figure 4.1). When fixing the clear top-sheet must sit over the Light Box opening and overlapping a crest with either side (Figure 4.1).

The ends of the top-sheet must sit in line with the ends of the Cooldek sheet. If used on an attached unit the top-sheet must run underneath the back-channel.

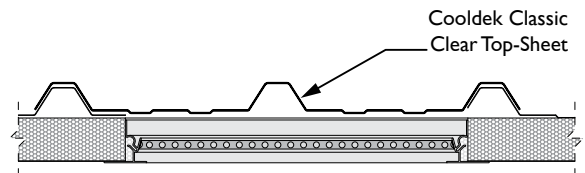


Figure 4.0

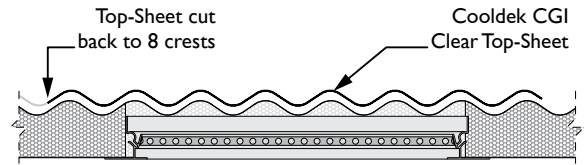


Figure 4.1

Fasten the top-sheet through to the Cooldek sheet using 12x35mm self-drilling screws (with Cyclonic caps) through the external crests at 500mm centres (Figure 4.2).

Use clear silicone to seal the edges of the top-sheet along the Cooldek roofing.

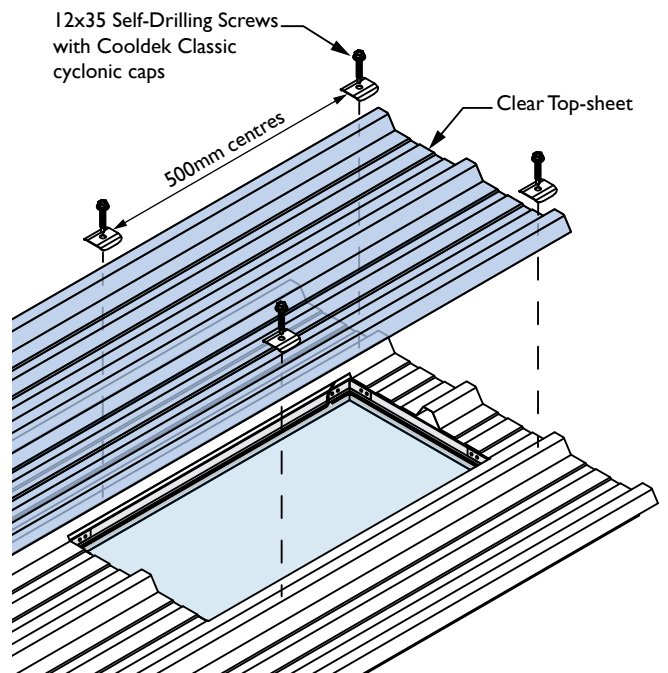


Figure 4.2

Ph: 1300 155 155
stratco.com.au

STRATCO



« Scan this QR code with your smart phone to find a Stratco near you.

QUEENSLAND • NEW SOUTH WALES • AUSTRALIAN CAPITAL TERRITORY • VICTORIA
SOUTH AUSTRALIA • WESTERN AUSTRALIA • NORTHERN TERRITORY

All brands and logos/images accompanied by ® or ™ are trade marks of Stratco (Australia) Pty Limited.

